

Tip of the Week

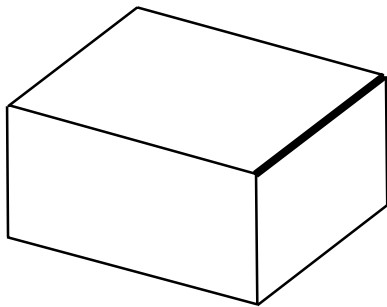
November 06, 2006

Title: Creating Rounds Without the Round Tool

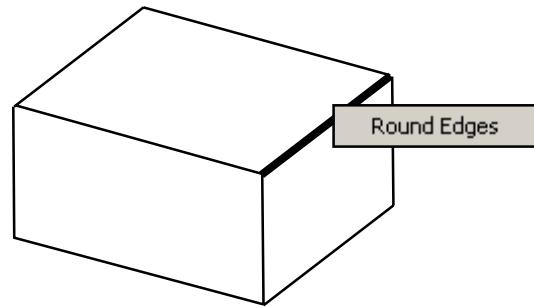
Release: Wildfire 2.0 and Wildfire 3.0

Module: Part mode.

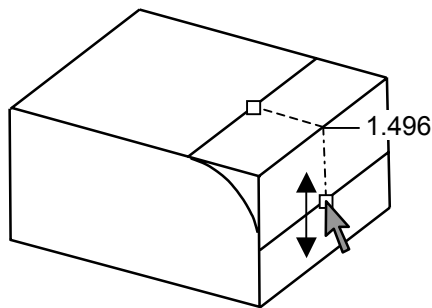
Tip: Simple edge rounds and full rounds can be created *without* using the **Round** dashboard tool. First set the selection filters to **Geometry**, then select the edge(s) for the round. Next press and hold the right mouse button and pick **Round Edges** in the popup menu. The round appears, and dynamic drag handles allow you to dynamically change the size of the round. The dimension can be double clicked to modify the value. Finally, click the middle mouse button to complete the feature.



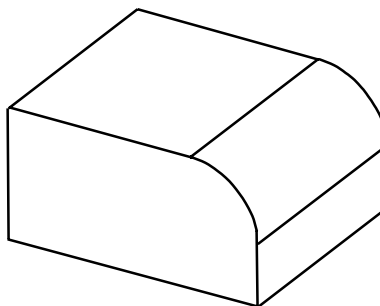
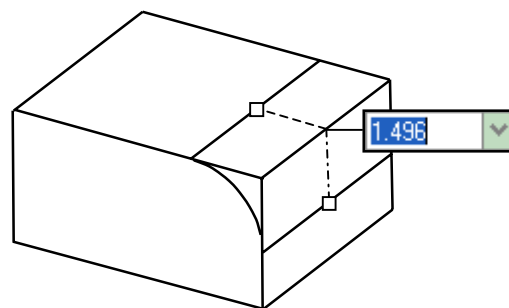
Step 1: With the filter set to *Geometry*, pick the edge(s).



Step 2: Press and hold the right mouse button, select 'Round Edges'.



Step 3: Drag the dynamic handles or double click the dimension value.



Step 4. Click the middle mouse button to complete the round.